



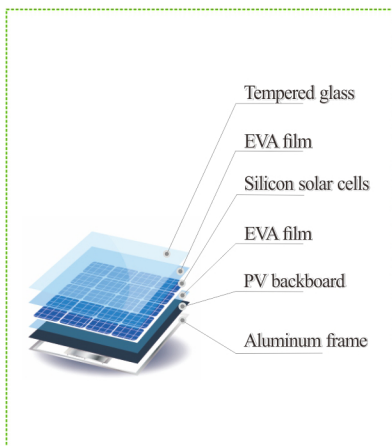
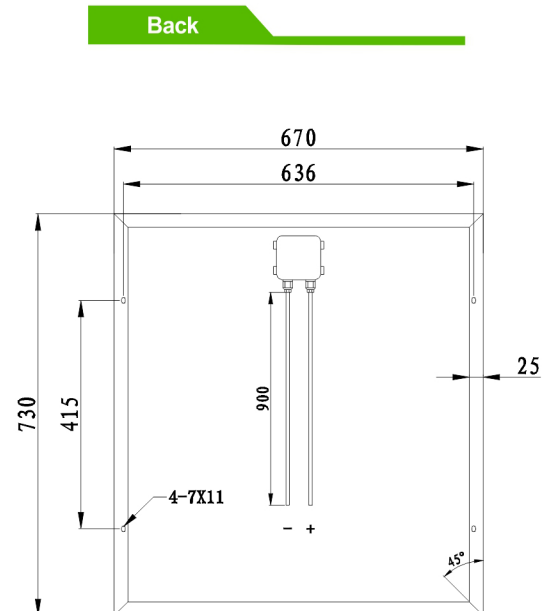
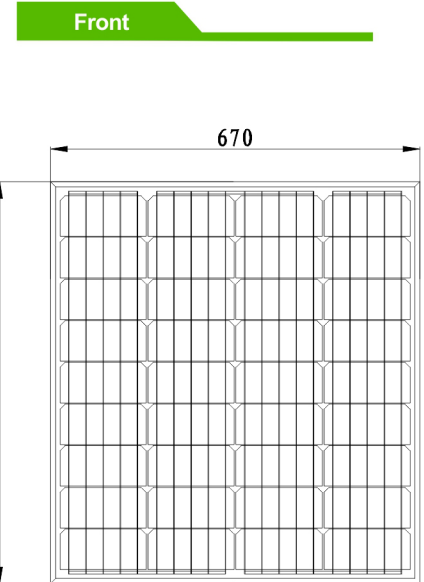
## ELECTRIC CHARACTERISTICS

Max. Power ( Pmax )	80
Max. Power Voltage ( Vmp )	18.8
Max. Power Current ( Imp )	4.26
Open Circuit Voltage ( Voc )	23.1
Short Circuit Current ( Isc )	4.56

## SPECIFICATION

Model No. C6MY08018L001

Cell Type	MONO
Dimension (mm)	730*670*30
Cable Length (mm)	900
Type of Connector	None/MC4
Weight (kg)	5.35



- High energy conversion rate
- Customized design
- Green energy
- 25 years lifetime

